

IPC-6606

6-slot Desktop/Wallmount Chassis with PS/2 Power Supply



Features

- Cost-effective wallmount/desktop IPC chassis
- Equipped with a 6-slot ISA/PCI backplane to hold six full-length cards
- One front access half-height disk drive and one 3.5" FDD, plus one internal 3.5" HDD
- One 49-CFM cooling fan with air filter
- With 300/250 W ATX power supply options

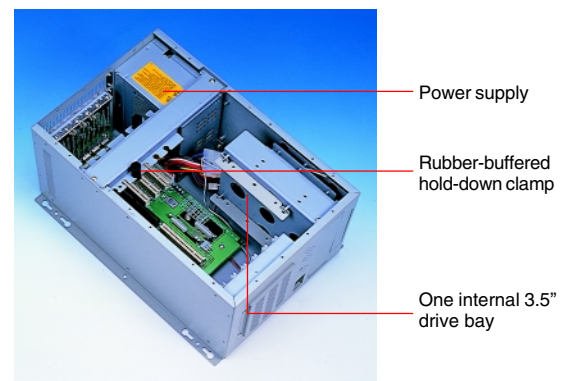
Introduction

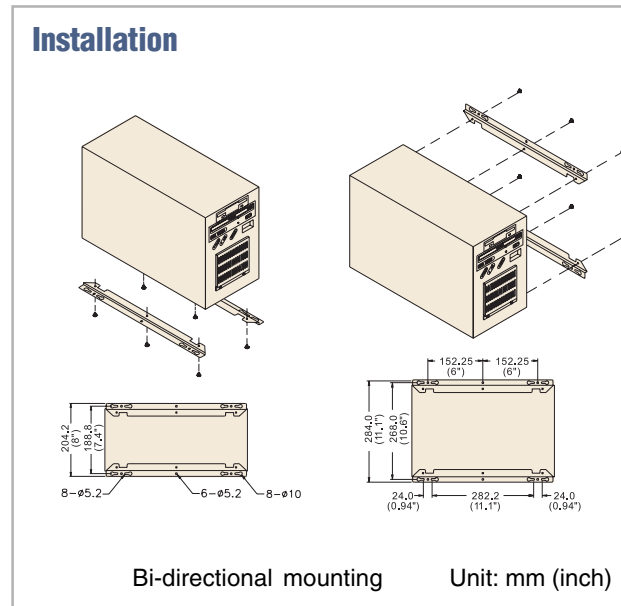
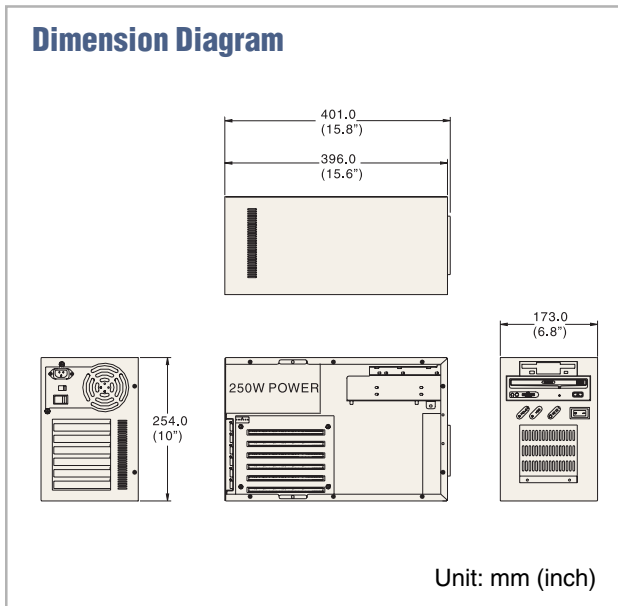
Specially designed for factory floor and other harsh industrial environments, the IPC-6606 wallmount IPC chassis is ideal for system integrators or users who require a compact, rugged PC/AT compatible

system. The IPC-6606 features a 6-slot passive backplane and a 200 watt power supply. The chassis is only 6.8" wide and can easily be mounted bi-directionally on panels or walls with the supplied brackets.

Specifications

		Front-accessible	Internal
Drive Bay	3.5"	1	1
	5.25"	1	
Cooling	Fan	1 (49 CFM)	
	Air Filter	Yes	
Miscellaneous	Control	Front panel reset switch, rear panel power supply	
	Indicator	LEDs for power On/Off and HDD activity	
Environment	Temperature	0 ~ 50 °C (32 ~ 122 °F), operating	
	Humidity	10 ~ 95 % @ 40 °C, non-condensing	
Physical	Dimensions (W x H x D)	173 x 254 x 396 mm (6.8" x 10" x 15.6")	
	Weight	6.2 Kg (13.7 lb)	





Passive Backplane Options

B/P Model Name	Slot	Segment
PCA-6106-B	6 ISA	Single
PCA-6106P3-0C1	2 ISA, 2 PCI, 1 PICMG/PCI, 1 PICMG	Single
PCA-6105P5-0B1	5 PCI	Single

Power Supply Options

Part Number	Watt	Specifications				
		Input	Output	Mini-load	Safety	MTBF
PS-250ATX-Z (ATX, PFC)	250 W	AC 95 ~ 132 V AC 190 ~ 264 V (Selectable)	+5 V @ 27 A +3.3 V @ 20 A +12 V @ 13 A -12 V @ 0.8 A -5 V @ 0.3 A +5 Vsb @ 2 A	+5 V @ 0.5 A +12 V @ 0.3 A	UL/cUL/CSA, (UL60950 3rd)/CE EN61000-3-2Class D/TUV/CB	100,000 hours @ 25 °C full load
PS-300ATX (ATX)	300 W	AC 110/220 V	+5 V @ 30 A +3.3 V @ 26 A +12 V @ 13 A -12 V @ 0.8 A -5 V @ 0.5 A +5 Vsb @ 2 A	+5 V @ 1 A +12 V @ 0.2 A	UL/CSA/TUV/CE/Nordic/CB	100,000 hours @ 25 °C full load

Ordering Information

Part Number	With Power Supply	With Backplane	Regulation
IPC-6606BP-00P	Without power supply, with AT switch	--	None
IPC-6606BP-00X	Without power supply, with ATX switch	--	None
IPC-6606BP-25Z	PS-250ATX-Z (System with AT switch)	--	UL, cUL, CE
IPC-6606-25Z	PS-250ATX-Z (System with AT switch)	PCA-6106-B	UL, cUL, CE
IPC-6606P3-25Z	PS-250ATX-Z (System with AT switch)	PCA-6106P3-0C1	UL, cUL, CE
IPC-6606BP-30X	PS-300ATX (System with ATX switch)	--	UL, cUL, CE

- CompactPCI Enclosures 1
- CompactPCI Boards 2
- CompactPCI Peripherals 3
- Blade Servers 4
- Network Appliances 5
- e-Server Systems 6
- Storage Subsystems 7
- Industrial Computer Chassis 8
- Full-sized CPU Cards 9
- Passive Backplanes 10
- Industrial Computer Peripherals 11