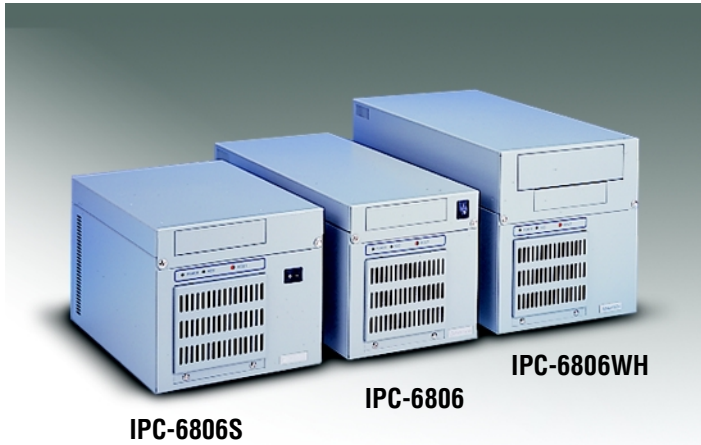


IPC-6806

6-slot Desktop/Wallmount Chassis with Open Frame PFC Power Supply



Features

- Supports 6-slot ISA or ISA/PCI backplane to hold six cards
- Equipped with one 49-CFM cooling fan with air filter
- IPC-6806WH is especially equipped with a front-mounted 5.25" drive bay reserved for a CD-ROM drive
- Equipped with 200 W PFC/150 W PFC/100 W open frame power supply

Introduction

Specially designed for factory floor and other harsh industrial environments, the IPC-6806 wallmount IPC chassis is ideal for system integrators or users who require a compact, rugged PC/AT-compatible

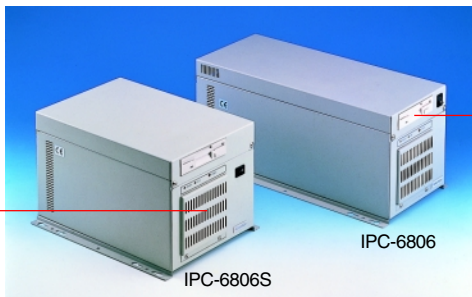
system. The IPC-6806 features a 6-slot passive backplane and a 150-watt power supply. The chassis is less than 8" wide and can be easily mounted on panels or walls with the supplied brackets.

Common Specifications for IPC-6806 Series

Cooling	Fan	1 (49 CFM)
	Air Filter	Yes
Miscellaneous	Control	Power On/Off switch and CPU reset button
	Indicator	LEDs for power On/Off and HDD activity
Environment	Temperature	0 ~ 50 °C (32 ~ 122 °F), operating
	Humidity	10 ~ 95 % @ 40 °C, non-condensing

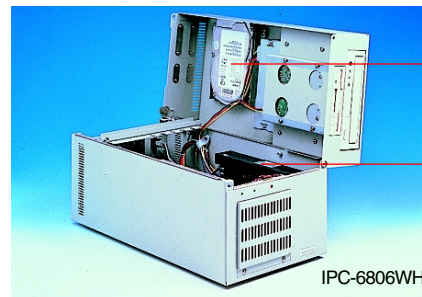
Selection Guide

Model Name	IPC-6806BP-20ZB	IPC-6806WHB-20Z	IPC-6806SBP-15Z
Disk Drive Bay	3.5" FDD x1 3.5" HDD x1	5.25" CD-ROM x1 3.5" FDD x1 3.5" HDD x1	3.5" FDD x1 3.5" HDD x1
Power Supply	200 W PFC	200 W PFC	150 W PFC
Backplane	PCA-6106-B, PCA-6106P3-0C1, PCA-6105P5-0B1	PCA-6106-B, PCA-6106P3-0C1, PCA-6105P5-A2, PCA-6105P5-0B1	PCA-6106-B, PCA-6105P5-0B1 (for half-sized card only)
Dimensions (W x H x D)	166 x 170 x 393 mm (6.5" x 6.7" x 15.4")	198 x 213 x 393 mm (7.8" x 8.4" x 15.4")	196 x 170 x 282 mm (7.7" x 6.7" x 11.1")
Weight	5.6 Kg (12.3 lb)	6 Kg (13.2 lb)	4.5 Kg (9.9 lb)



One 49-CFM cooling fan with air filter

3.5" FDD

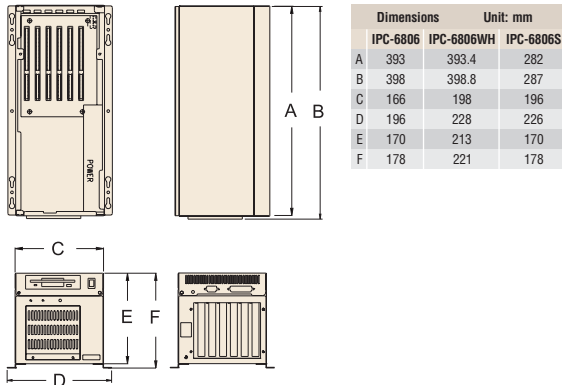


One internal 3.5" drive bay

Easy access to internal components

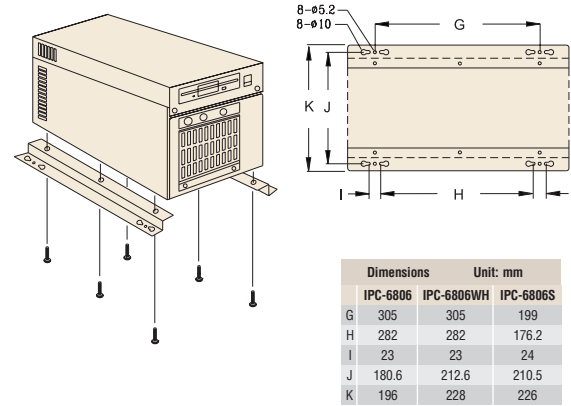


Dimension Diagram



Unit: mm (inch)

Installation



Unit: mm (inch)

Passive Backplane Options

B/P Model Name	Slot	Segment
PCA-6106-B	6 ISA	Single
PCA-6106P3-0C1	2 ISA, 2 PCI, 1 PICMG/PCI, 1 PICMG	Single
PCA-6105P5-0B1	5 PCI	Single

Power Supply Options

Part Number	Specifications					
	Watt	Input	Output	Mini-load	Safety	MTBF
OP-20PZ (IPC-6806, IPC-6806WH)	200 W	AC 90 ~ 264 V (Full-range)	+5 V @ 16 A +12 V @ 9 A -5 V @ 0.2 A -12 V @ 0.7 A +3.3 V @ 14 A +5 Vsb @ 1.5 A	+5 V @ 2 A +12 V @ 1 A -5 V @ 0.1 A -12 V @ 0.1 A +3.3 V @ 1 A +5 Vsb @ 0.1 A	UL/TÜV/ CB	50,000 hours
OP-15PZ (IPC-6806S only)	150 W	AC 90 ~ 264 V (Full-range)	+5 V @ 14 A +12 V @ 6 A -5 V @ 0.5 A -12 V @ 0.8 A +3.3 V @ 10 A +5 Vsb @ 1.5 A	+5 V @ 2 A +12 V @ 1 A -5 V @ 0.1 A -12 V @ 0.1 A +3.3 V @ 1 A +5 Vsb @ 0.1 A	UL/TÜV/ CB	50,000 hours

Ordering Information

Part Number	With Power Supply	With Backplane	Regulation
IPC-6806BP-20ZB	OP-20PZ	--	UL, cUL, CE
IPC-6806-20ZB	OP-20PZ	PCA-6106-B	UL, cUL, CE
IPC-6806P3-20ZB	OP-20PZ	PCA-6106P3-0C1	UL, cUL, CE
IPC-6806WHB-20Z	OP-20PZ	--	UL, cUL, CE
IPC-6806WH-20Z	OP-20PZ	PCA-6106-B	UL, cUL, CE
IPC-6806WHP-20Z	OP-20PZ	PCA-6106P3-0C1	UL, cUL, CE
IPC-6806SP5-15Z	OP-15PZ	PCA-6105P5-0B1	UL, cUL, CE
IPC-6806SBP-15Z	OP-15PZ	--	UL, cUL, CE
IPC-6806S-15Z	OP-15PZ	PCA-6106-B	UL, cUL, CE

CompactPCI Enclosures 1

CompactPCI Boards 2

CompactPCI Peripherals 3

Blade Servers 4

Network Appliances 5

e-Server Systems 6

Storage Subsystems 7

Industrial Computer Chassis 8

Full-sized CPU Cards 9

Passive Backplanes 10

Industrial Computer Peripherals 11